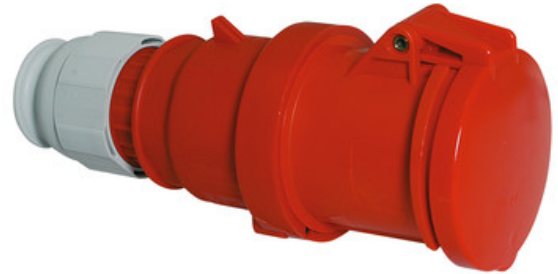


connector - with TE screw terminals, for harsh applications

Product description

Order number	3112
EAN/pcs	4024941031127
Product Group	TE connector Multi-Grip Cable gland
Amperage	63A
Poles	5p (3p+N+PE)
Earth 'Clock' Position	6 h
Voltage	200/346 up to 240/415V
Frequenz	50 and 60Hz
Protection	IP44
Color code	red RAL 3000
Connection Design	screw terminal as box terminal with Kontex-contact
Max. conductor	16,0 mm ²

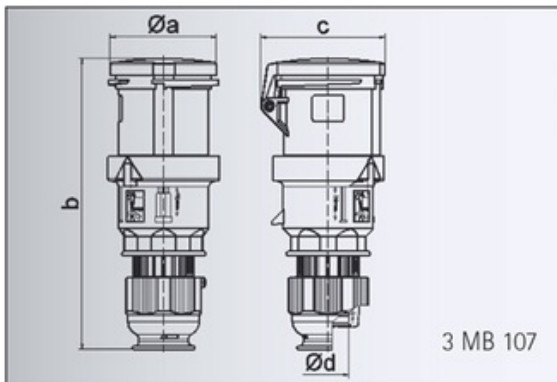


Further Information

Additional technical information	For cable diameter from 16 up to max. 36 mm Multi-Grip cable gland with gasket, integrated cable clamp and additional water evacuation openings screwless housing connection
----------------------------------	--

Material

Material of Enclosure	Polyamide
Contact / Contact Carrier	contact carrier made of high temperature resistant material, contacts and box terminals are brass nickel plated
Weight/pcs	0.670 kg
Packaging unit	5 ST



Ampere	63	63	63
Polzahl	3	4	5
a ø	95,0	95,0	95,0
b	251,0	251,0	251,0
c	109,0	109,0	109,0
d ø	36,0	36,0	36,0
Leiter mm ² min	6	6	6
Leiter mm ² max	16	16	16