

# connector - with TE screw terminals, for harsh applications

## Product description

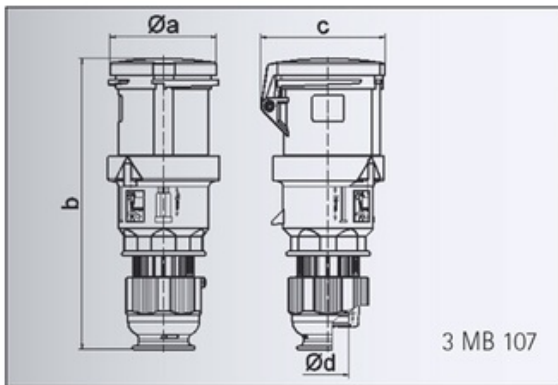
Order number	3104
EAN/pcs	4024941031042
Product Group	TE connector Multi-Grip Cable gland
Amperage	63A
Poles	3p (2P+PE)
Earth 'Clock' Position	6 h
Voltage	200 up to 250V
Frequenz	50 and 60Hz
Protection	IP44
Color code	blue RAL 5015
Connection Design	screw terminal as box terminal with Kontex-contact
Max. conductor	16,0 mm <sup>2</sup>



## Further Information

Additional technical information	For cable diameter from 16 up to max. 36 mm Multi-Grip cable gland with gasket, integrated cable clamp and additional water evacuation openings screwless housing connection
----------------------------------	--

Material	
Material of Enclosure	Polyamide
Contact / Contact Carrier	contact carrier made of high temperature resistant material, contacts and box terminals are brass nickel plated
Weight/pcs	0.590 kg
Packaging unit	5 ST



Ampere	63	63	63
Polzahl	3	4	5
a ø	95,0	95,0	95,0
b	251,0	251,0	251,0
c	109,0	109,0	109,0
d ø	36,0	36,0	36,0
Leiter mm <sup>2</sup> min	6	6	6
Leiter mm <sup>2</sup> max	16	16	16