

connector - with screw terminals one piece housing

Product description

Order number	310333
EAN/pcs	4024941097123
Product Group	TLS connector Multi-Grip cable gland
Amperage	16A
Poles	3p (2P+PE)
Earth 'Clock' Position	6 h
Voltage	200 up to 250V
Frequenz	50 and 60Hz
Protection	IP67
Color code	blue RAL 5015
Connection Design	screw terminal
Max. conductor	2,5 mm ²

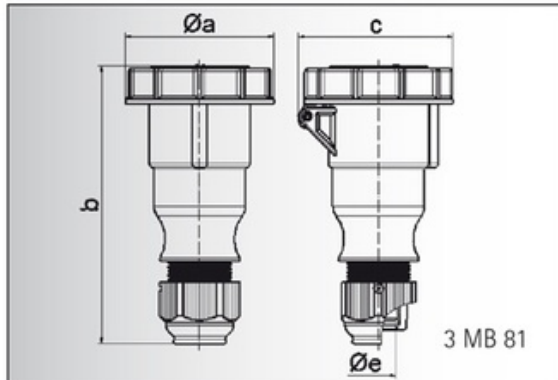


Further Information

Additional technical information	one piece housing For cable diameter from 8 up to max. 18 mm Multi-Grip cable gland with gasket and integrated strain relief
----------------------------------	--

Material

Material of Enclosure	Polyamide
Contact / Contact Carrier	contact carrier made of Polyamide, contacts are brass nickel plated
Weight/pcs	0.171 kg
Packaging unit	10 ST



Ampere	16	16	16	32	32	32
Polzahl	3	4	5	3	4	5
a ø	70,5	78,0	86,5	94,0	94,0	101,5
b	154,0	155,0	160,0	190,0	190,0	190,0
c	77,0	83,0	93,0	99,0	99,0	107,0
e ø	18,0	18,0	18,0	23,0	23,0	23,0
Leiter mm ² min	1	1	1	2,5	2,5	2,5
Leiter mm ² max	2,5	2,5	2,5	6	6	6