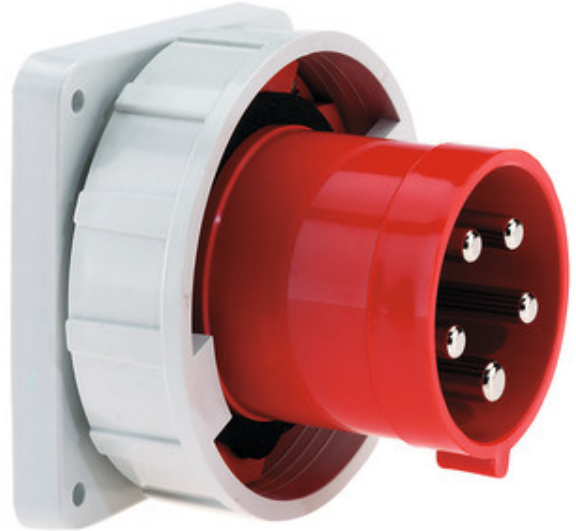


# appliance inlet with flange - flange 120x120, fixing centers 100x100

## Product description

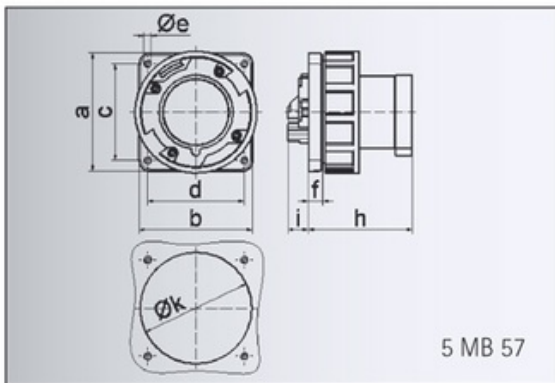
Order number	2876
EAN/pcs	4024941028769
Product Group	TE flanged appliance inlet straight
Amperage	125A
Poles	5p (3p+N+PE)
Earth 'Clock' Position	6 h
Voltage	200/346 up to 240/415V
Frequenz	50 and 60Hz
Protection	IP67
Color code	red RAL 3000
Connection Design	screw terminal as box terminal
Max. conductor	50.0 mm <sup>2</sup>



## Further Information

Additional technical information	Collar in middle of flange
----------------------------------	----------------------------

Material	
Material of Enclosure	Polyamide
Contact / Contact Carrier	contact carrier made of high temperature resistant material, contacts and box terminals are brass nickel plated
Weight/pcs	1.110 kg
Packaging unit	5 ST



Ampere	125	125	125
Polzahl	3	4	5
a	120,0	120,0	120,0
b	120,0	120,0	120,0
c	100,0	100,0	100,0
d	100,0	100,0	100,0
e ø	6,5	6,5	6,5
f	13,0	13,0	13,0
h	116,0	116,0	116,0
i	20,0	20,0	20,0
k	104,0	104,0	104,0
Leiter mm <sup>2</sup> min	16	16	16
Leiter mm <sup>2</sup> max	50	50	50