

appliance inlet with flange - flange 110x106, fixing centers 90x90

Product description

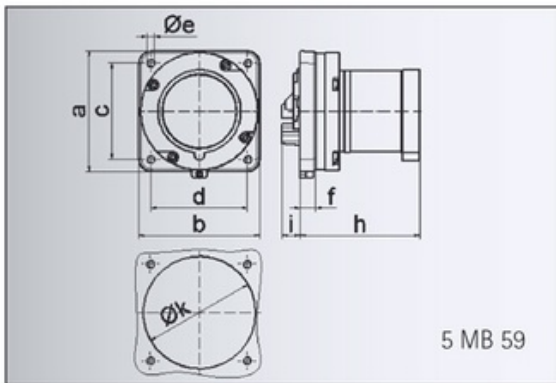
Order number	2837
EAN/pcs	4024941028370
Product Group	TE flanged appliance inlet straight
Amperage	63A
Poles	5p (3p+N+PE)
Earth 'Clock' Position	6 h
Voltage	200/346 up to 240/415V
Frequenz	50 and 60Hz
Protection	IP44
Color code	red RAL 3000
Connection Design	screw terminal as box terminal
Max. conductor	16,0 mm ²



Further Information

Additional technical information	A retaining device to match the hinged cover of the connector must be provided to ensure the latching feature Collar in middle of flange
----------------------------------	---

Material	
Material of Enclosure	Polyamide
Contact / Contact Carrier	contact carrier made of high temperature resistant material, contacts and box terminals are brass nickel plated
Weight/pcs	0.580 kg
Packaging unit	5 ST



Ampere	63	63	63	63	63	63
Polzahl	3	4	5	3	4	5
a	110,0	110,0	110,0	100,0	100,0	100,0
b	106,0	106,0	106,0	100,0	100,0	100,0
c	90,0	90,0	90,0	80,0	80,0	80,0
d	90,0	90,0	90,0	80,0	80,0	80,0
e ø	5,5	5,5	5,5	5,5	5,5	5,5
f	13,0	13,0	13,0	13,0	13,0	13,0
h	96,0	96,0	96,0	96,0	96,0	96,0
i	19,0	19,0	19,0	19,0	19,0	19,0
k	93,0	93,0	93,0	93,0	93,0	93,0
Leiter mm ² min	6	6	6	6	6	6
Leiter mm ² max	16	16	16	16	16	16