

plug - with TE screw terminals, for harsh applications

Product description

Order number	2181
EAN/pcs	4024941021814
Product Group	TE plug Multi-Grip cable gland
Amperage	63A
Poles	3p (2P+PE)
Earth 'Clock' Position	6 h
Voltage	200 up to 250V
Frequenz	50 and 60Hz
Protection	IP67
Color code	blue RAL 5015
Connection Design	screw terminal as box terminal
Max. conductor	16,0 mm ²

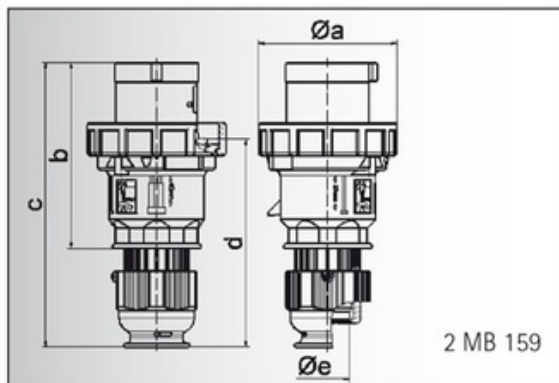


Further Information

Additional technical information	Multi-Grip cable gland with gasket, integrated cable clamp and additional water evacuation openings For cable diameter from 16 up to max. 36 mm screwless housing connection
----------------------------------	--

Material

Material of Enclosure	Polyamide
Contact / Contact Carrier	contact carrier made of Polyamide, contacts are brass nickel plated
Weight/pcs	0.590 kg
Packaging unit	5 ST



Ampere	63	63	63
Polzahl	3	4	5
a \varnothing	113,5	113,5	113,5
b	153,0	153,0	153,0
c	233,0	233,0	233,0
d	171,0	171,0	171,0
e \varnothing	36,0	36,0	36,0
Leiter mm ² min	6	6	6
Leiter mm ² max	16	16	16