

# plug - with screwless terminals, for harsh applications

## Product description

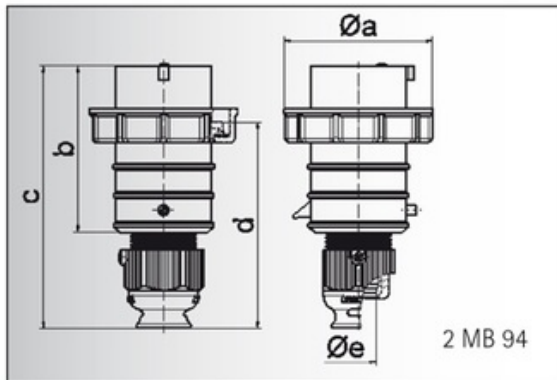
Order number	21239
EAN/pcs	4024941212397
Product Group	Quick-Connect TE-Plus Multi-Grip cable gland
Amperage	16A
Poles	5p (3p+N+PE)
Earth 'Clock' Position	6 h
Voltage	200/346 up to 240/415V
Frequenz	50 and 60Hz
Protection	IP67
Color code	red RAL 3000
Connection Design	screwless spring-clamp technology with box terminals
Max. conductor	2,5 mm <sup>2</sup>



## Further Information

Additional technical information	Multi-Grip cable gland with gasket, integrated cable clamp and additional water evacuation openings For cable diameter from 10 up to max. 21 mm
----------------------------------	--

Material	
Material of Enclosure	Polyamide
Contact / Contact Carrier	contact carrier made of high temperature resistant material, contacts are brass nickel plated
Weight/pcs	0.214 kg
Packaging unit	10 ST



Ampere	16	16	16	32	32	32
Polzahl	3	4	5	3	4	5
a ø	70,0	78,0	86,0	94,0	94,0	101,0
b	95,0	95,0	97,0	118,0	118,0	117,0
c	145,0	145,0	152,0	178,0	178,0	181,0
d	111,0	111,0	119,0	136,0	136,0	138,5
e ø	18,0	18,0	21,0	23,0	23,0	27,0
Leiter mm <sup>2</sup> min	1	1	1	2,5	2,5	2,5
Leiter mm <sup>2</sup> max	2,5	2,5	2,5	6	6	6