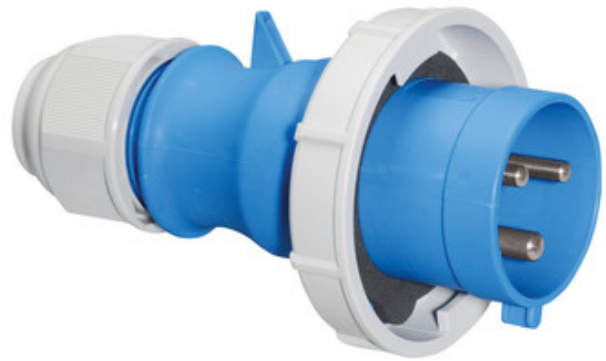


## plug - with screw terminals one piece housing

### Product description

|                        |                                 |
|------------------------|---------------------------------|
| Order number           | 210576                          |
| EAN/pcs                | 4024941109765                   |
| Product Group          | TLS plug Multi-Grip cable gland |
| Amperage               | 16A                             |
| Poles                  | 3p (2P+PE)                      |
| Earth 'Clock' Position | 6 h                             |
| Voltage                | 200 up to 250V                  |
| Frequenz               | 50 and 60Hz                     |
| Protection             | IP67                            |
| Color code             | blue RAL 5015                   |
| Connection Design      | screw terminal                  |
| Max. conductor         | 2,5 mm <sup>2</sup>             |

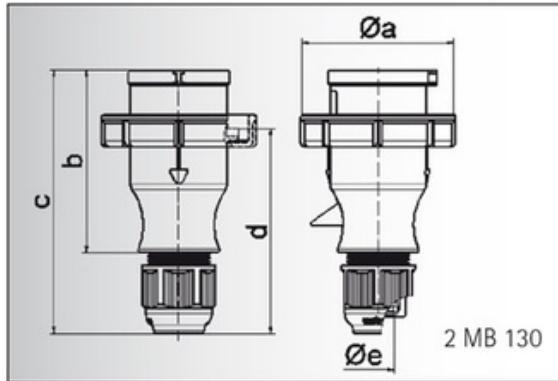


### Further Information

|                                  |                                                                                                                                    |
|----------------------------------|------------------------------------------------------------------------------------------------------------------------------------|
| Additional technical information | one piece housing<br>Multi-Grip cable gland with gasket and integrated strain relief<br>For cable diameter from 8 up to max. 18 mm |
|----------------------------------|------------------------------------------------------------------------------------------------------------------------------------|

**Material**

|                           |                                                                     |
|---------------------------|---------------------------------------------------------------------|
| Material of Enclosure     | Polyamide                                                           |
| Contact / Contact Carrier | contact carrier made of Polyamide, contacts are brass nickel plated |
| Weight/pcs                | 0.151 kg                                                            |
| Packaging unit            | 10 ST                                                               |



|                            |       |       |       |       |       |       |
|----------------------------|-------|-------|-------|-------|-------|-------|
| Ampere                     | 16    | 16    | 16    | 32    | 32    | 32    |
| Polzahl                    | 3     | 4     | 5     | 3     | 4     | 5     |
| a ø                        | 70,0  | 78,0  | 86,0  | 94,0  | 94,0  | 101,0 |
| b                          | 94,5  | 98,0  | 101,0 | 115,0 | 115,0 | 119,0 |
| c                          | 138,0 | 142,0 | 145,0 | 170,0 | 170,0 | 174,0 |
| d                          | 105,5 | 109,5 | 112,5 | 128,0 | 128,0 | 132,0 |
| e ø                        | 18,0  | 18,0  | 18,0  | 23,0  | 23,0  | 23,0  |
| Leiter mm <sup>2</sup> min | 1     | 1     | 1     | 2,5   | 2,5   | 2,5   |
| Leiter mm <sup>2</sup> max | 2,5   | 2,5   | 2,5   | 6     | 6     | 6     |