

switched, interlocked - housing dimensions 460x180

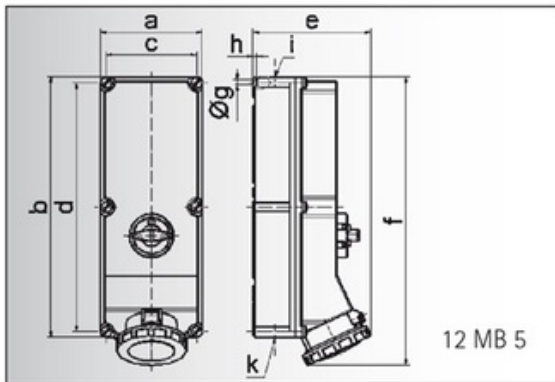
Product description	
Order number	16622
EAN/pcs	4024941166225
Product Group	GT wall mounting socket outlet, switched, interlocked
Amperage	125A
Poles	5p (3p+N+PE)
Earth 'Clock' Position	6 h
Voltage	200/346 up to 240/415V
Frequenz	50 and 60Hz
Protection	IP67
Color code	red RAL 3000
Connection Design	screw terminal as box terminal with Kontex-contact
Max. conductor	70.0 mm ²



Further Information	
Cable entry	top entry M40 bottom entry M50/M40
Packaging	460x180 mm (HxW)
Additional technical information	The cable entry is one at top and two at bottom open In 0-position lockable for 4 padlocks with bow diameter up to 7 mm

Material

Material of Enclosure	Polycarbonate
Contact / Contact Carrier	contact carrier made of high temperature resistant material, contacts and box terminals are brass nickel plated
Weight/pcs	3.950 kg
Packaging unit	1 ST



Ampere	125	125	125
Polzahl	3	4	5
a	180,0	180,0	180,0
b	460,0	460,0	460,0
c	160,0	160,0	160,0
d	440,0	440,0	440,0
e	208,0	208,0	208,0
f	510,0	510,0	510,0
g ø	8,3	8,3	8,3
h	6,5	6,5	6,5
i	M40	M 40	M 40
k	M 40/50	M 40/50	M 40/50