

fused - housing dimension 225x118, with mounting rail

Product description

Order number	15352
EAN/pcs	4024941153522
Product Group	QC wall mounting socket outlet, fused
Amperage	32A
Poles	3p (2P+PE)
Earth 'Clock' Position	6 h
Voltage	200 up to 250V
Frequenz	50 and 60Hz
Protection	IP67
Color code	blue RAL 5015
Connection Design	screwless spring terminals as cage clamp with Kontext-contact
Max. conductor	10,0 mm ²

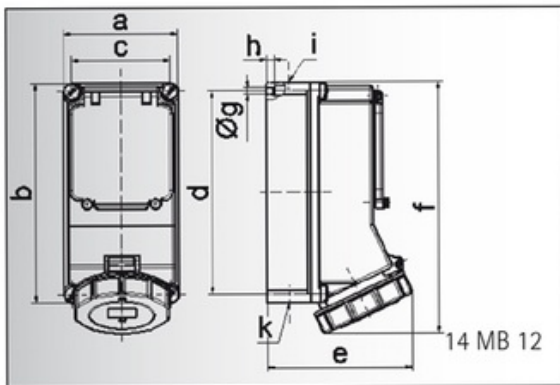


Further Information

Cable entry	top entry M25/M25 bottom entry M25
Packaging	225x118 mm (HxW)
Additional technical information	The cable entry is one at top open, one at top is closed, and two at bottom are closed With mounting rail Protective cover for fuses with stamping With 5 modules, horizontal

Material

Material of Enclosure	Polycarbonate
Contact / Contact Carrier	contact carrier made of high temperature resistant material, contacts are brass nickel plated
Weight/pcs	0.924 kg
Packaging unit	1 ST



Ampere	16	16	32	32	32
Polzahl	4	5	3	4	5
a	118,0	118,0	118,0	118,0	118,0
b	225,0	225,0	225,0	225,0	225,0
c	101,0	101,0	101,0	101,0	101,0
d	208,0	208,0	208,0	208,0	208,0
e	127,0	134,0	143,0	143,0	149,0
f	245,0	245,0	255,0	255,0	255,0
g ø	6,5	6,5	6,5	6,5	6,5
h	8,0	8,0	8,0	8,0	8,0
i	2 x M 25	2 x M 25	2 x M 25	2 x M 25	2 x M 25
k	2 x M 25	2 x M 25	2 x M 25	2 x M 25	2 x M 25