

# fused - housing dimension 170x90, with mounting rail

## Product description

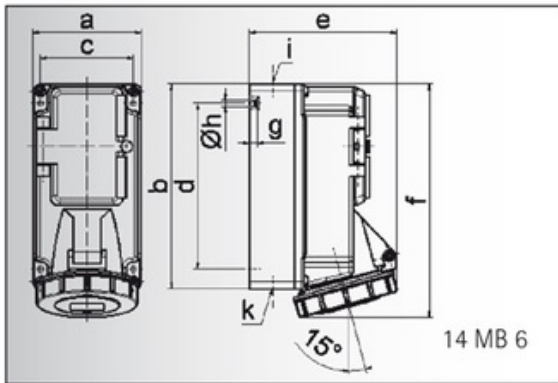
Order number	15024
EAN/pcs	4024941150248
Product Group	QC wall mounting socket outlet, fused
Amperage	16A
Poles	3p (2P+PE)
Earth 'Clock' Position	6 h
Voltage	200 up to 250V
Frequenz	50 and 60Hz
Protection	IP67
Color code	blue RAL 5015
Connection Design	screwless spring terminals as cage clamp with Kontext-contact
Max. conductor	4,0 mm <sup>2</sup>



## Further Information

Cable entry	top entry M20 bottom entry M25/20
Packaging	170x90 mm (HxW)
Additional technical information	The cable entry is one at top open and two at bottom closed Lower part of housing rotatable by 180° With mounting rail for 5 modules, vertical With mounting rail Protective cover for fuses with stamping

Material	
Material of Enclosure	Polycarbonate
Contact / Contact Carrier	contact carrier made of high temperature resistant material, contacts are brass nickel plated
Weight/pcs	0.513 kg
Packaging unit	1 ST



Ampere	16	16	16
Polzahl	3	4	5
a	90,0	90,0	90,0
b	170,0	170,0	170,0
c	77,0	77,0	77,0
d	137,5	137,5	137,5
e	108,0	115,0	121,0
f	191,5	191,5	191,5
g	6,0	6,0	6,0
h ø	5,5	5,5	5,5
i	M 20	M 20	M 20
k	M 20/25	M 20/25	M 20/25