

# panel mounting socket outlet, straight - flange 107x100 fixing centers 85x77

## Product description

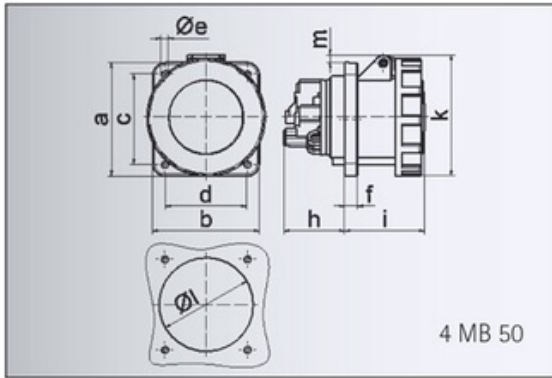
|                        |  |
|------------------------|--|
| Order number           | 1396   |
| EAN/pcs                | 4024941013963                                      |
| Product Group          | GT panel mounting socket outlet straight           |
| Amperage               | 63A  |
| Poles                  | 3p (2P+PE)   |
| Earth 'Clock' Position | 6 h  |
| Voltage                | 200 up to 250V                                     |
| Frequenz               | 50 and 60Hz  |
| Protection             | IP67   |
| Color code             | blue RAL 5015                                      |
| Connection Design      | screw terminal as box terminal with Kontex-contact |
| Max. conductor         | 25.0 mm <sup>2</sup>                               |



## Further Information

### Material

|                           |   |
|---------------------------|---|
| Material of Enclosure     | Polyamide   |
| Contact / Contact Carrier | contact carrier made of Polyamide, contacts are brass nickel plated |
| Weight/pcs                | 0.456 kg  |
| Packaging unit            | 5 ST  |



|                            |       |       |       |
|----------------------------|-------|-------|-------|
| Ampere                     | 63    | 63    | 63    |
| Polzahl                    | 3     | 4     | 5     |
| a                          | 107,0 | 107,0 | 107,0 |
| b                          | 100,0 | 100,0 | 100,0 |
| c                          | 85,0  | 85,0  | 85,0  |
| d                          | 77,0  | 77,0  | 77,0  |
| e ø                        | 6,5   | 6,5   | 6,5   |
| f                          | 12,0  | 12,0  | 12,0  |
| h                          | 56,5  | 56,5  | 56,5  |
| i                          | 76,0  | 76,0  | 76,0  |
| k                          | 113,0 | 113,0 | 113,0 |
| l ø                        | 88,0  | 88,0  | 88,0  |
| m                          | 7,0   | 7,0   | 7,0   |
| Leiter mm <sup>2</sup> min | 6     | 6     | 6     |
| Leiter mm <sup>2</sup> max | 25    | 25    | 25    |