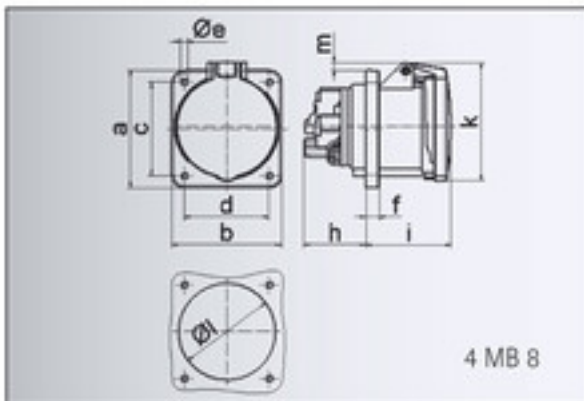
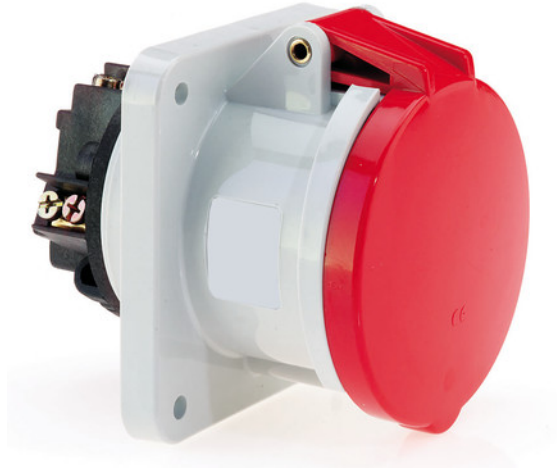


Data sheet

Order number: 136

GT panel mounting socket outlet straight

EAN/pcs	4024941001366
Ampere	63A
Poles	5p (3p+N+PE)
Earth 'Clock' Position	6 h
Voltage	200/346 up to 240/415V
Frequency	50 and 60Hz
Protection	IP44
Color code	red RAL 3000
Connection Design	screw terminal as box terminal with Kontex-contact
Contact	contact carrier made of Polyamide, contacts are brass nickel plated
Weight/pcs	0.490 kg
Packaging unit	5 pc/pcs
Material of Enclosure	Polyamide



Ampere	63	63	63
Polzahl	3	4	5
a	107,0	107,0	107,0
b	100,0	100,0	100,0
c	85,0	85,0	85,0
d	77,0	77,0	77,0
e ø	6,5	6,5	6,5
f	12,0	12,0	12,0
h	56,5	56,5	56,5
i	77,0	77,0	77,0
k	110,0	110,0	110,0
l ø	88,0	88,0	88,0
m	7,0	7,0	7,0
Leiter mm ² min	6	6	6
Leiter mm ² max	25	25	25

Bals Elektrotechnik GmbH & Co. KG

D-57399 Kirchhundem - Albaum

phone: +49(0)2723/771-0 fax: +49(0)2723/771-177

email: info@bals.com www.bals.com

Date: 24.06.2016