

Data sheet

Order number: 12135

GT panel mounting socket Outlet, angled

EAN/pcs **4024941121354**

Ampere **63A**

Poles **3p (2P+PE)**

Earth 'Clock'
Position **6 h**

Voltage **200 up to 250V**

Frequency **50 and 60Hz**

Protection **IP44**

Color code **blue RAL 5015**

Connection Design **screw terminal as box terminal with Kontex-contact**

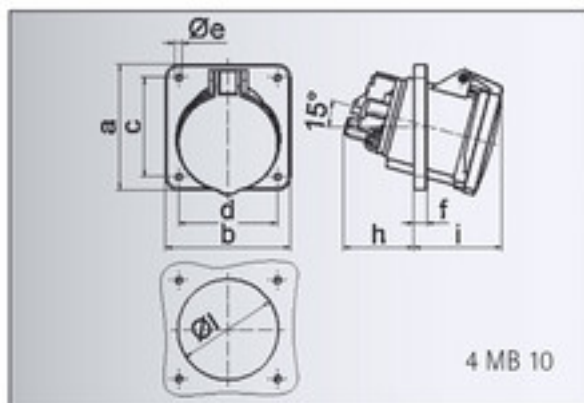
Contact **contact carrier made of Polyamide, contacts are brass nickel plated**

Weight/pcs **0.420 kg**

Packaging unit **5 pc/pcs**

Material of
Enclosure **Polyamide**

The inclination is 15°



Ampere	63	63	63
Polzahl	3	4	5
a	114,0	114,0	114,0
b	114,0	114,0	114,0
c	90,0	90,0	90,0
d	90,0	90,0	90,0
e ø	6,5	6,5	6,5
f	12,0	12,0	12,0
h	65,0	65,0	65,0
i	81,0	81,0	81,0
l	92,0	92,0	92,0
Leiter mm ² min	6	6	6
Leiter mm ² max	25	25	25

Bals Elektrotechnik GmbH & Co. KG

D-57399 Kirchhundem - Albaum

phone: +49(0)2723/771-0 fax: +49(0)2723/771-177

email: info@bals.com www.bals.com

Date: 24.06.2016