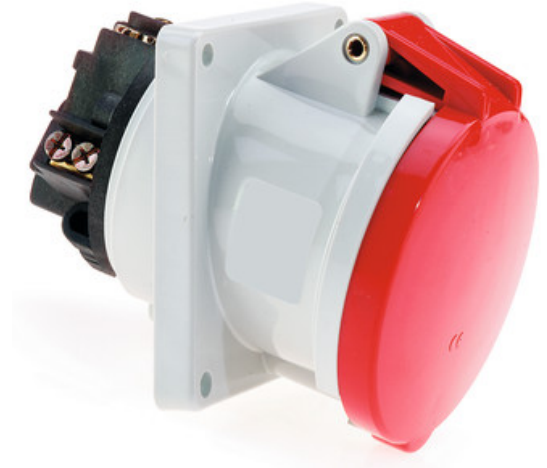


panel mounting socket outlet angled - flange 114x114, fixing centers 90x90

Product description

Order number	1202
EAN/pcs	4024941012027
Product Group	GT panel mounting socket Outlet, angled
Amperage	63A
Poles	5p (3p+N+PE)
Earth 'Clock' Position	6 h
Voltage	200/346 up to 240/415V
Frequenz	50 and 60Hz
Protection	IP44
Color code	red RAL 3000
Connection Design	screw terminal as box terminal with Kontex-contact
Max. conductor	25.0 mm ²

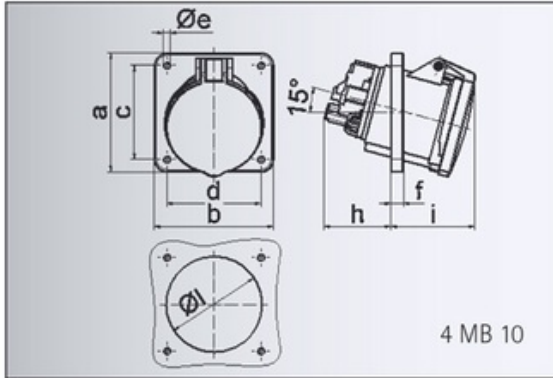


Further Information

Additional technical information	The inclination is 15°
-------------------------------------	------------------------

Material

Material of Enclosure	Polyamide
Contact / Contact Carrier	contact carrier made of Polyamide, contacts are brass nickel plated
Weight/pcs	0.500 kg
Packaging unit	5 ST



Ampere	63	63	63
Polzahl	3	4	5
a	114,0	114,0	114,0
b	114,0	114,0	114,0
c	90,0	90,0	90,0
d	90,0	90,0	90,0
e ø	6,5	6,5	6,5
f	12,0	12,0	12,0
h	65,0	65,0	65,0
i	81,0	81,0	81,0
l	92,0	92,0	92,0
Leiter mm ² min	6	6	6
Leiter mm ² max	25	25	25