

Data sheet

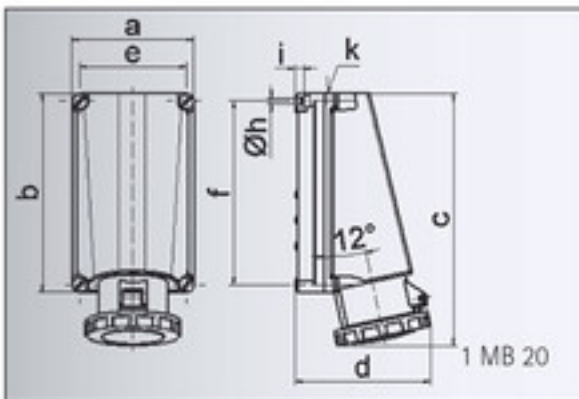
Order number: 11447

GT wall mounting socket outlet

EAN/pcs	4024941114479
Ampere	125A
Poles	5p (3p+N+PE)
Earth 'Clock' Position	6 h
Voltage	200/346 up to 240/415V
Frequency	50 and 60Hz
Protection	IP67
Color code	red RAL 3000
Connection Design	screw terminal as box terminal with Kontex-contact
Contact	contact carrier made of high temperature resistant material, contacts and box terminals are brass nickel plated
Weight/pcs	2.085 kg
Packaging unit	1 pc/pcs
Material of Enclosure	Polycarbonate



The cable entry is one at top open



Ampere	125	125	125
Polzahl	3	4	5
a	160,0	160,0	160,0
b	260,0	260,0	260,0
c	330,0	330,0	330,0
d	168,0	168,0	168,0
e	140,0	140,0	140,0
f	240,0	240,0	240,0
h ø	8,3	8,3	8,3
i	10,0	10,0	10,0
k	M 50	M 50	M 50
Leiter mm ² min	25	25	25
Leiter mm ² max	70	70	70

Bals Elektrotechnik GmbH & Co. KG

D-57399 Kirchhundem - Albaum

phone: +49(0)2723/771-0 fax: +49(0)2723/771-177

email: info@bals.com www.bals.com

Date: 24.06.2016