

# Data sheet

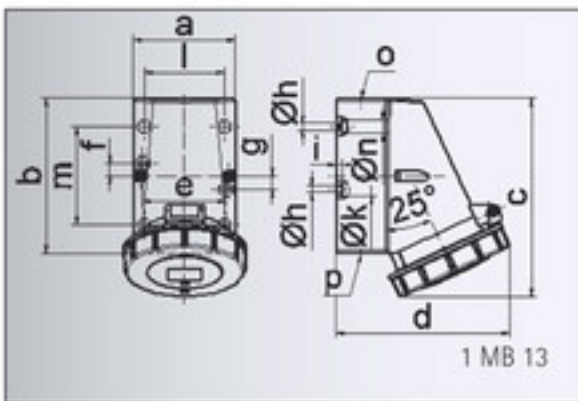
Order number: 1143

wall mounting socket outlet

EAN/pcs	<b>4024941011433</b>
Ampere	<b>16A</b>
Poles	<b>5p (3p+N+PE)</b>
Earth 'Clock' Position	<b>6 h</b>
Voltage	<b>200/346 up to 240/415V</b>
Frequency	<b>50 and 60Hz</b>
Protection	<b>IP67</b>
Color code	<b>red RAL 3000</b>
Connection Design	<b>screw terminal</b>
Contact	<b>contact carrier made of polyamide, the contacts are brass</b>
Weight/pcs	<b>0.300 kg</b>
Packaging unit	<b>10 pc/pcs</b>
Material of Enclosure	<b>Polyamide</b>



The cable entry is one at top open and one at bottom and one rear side closed  
Lower part of housing rotatable by 180°



Ampere	16	16	16	32	32	32
Polzahl	3	4	5	3	4	5
a	64,0	75,0	75,0	83,0	83,0	83,0
b	87,0	100,0	100,0	126,0	126,0	126,0
c	115,0	130,0	130,0	160,0	160,0	160,0
d	103,0	110,0	115,0	129,0	129,0	135,0
e	51,0	59,0	59,0	68,0	68,0	68,0
f	20,0	11,0	11,0	11,0	11,0	11,0
g	20,0	-	-	-	-	-
h ø	4,1	5,1	5,1	5,5	5,5	5,5
i	4,5	4,5	4,5	6,5	6,5	6,5
k ø	8,0	10,0	10,0	12,0	12,0	12,0
l	-	-	-	65,0	65,0	65,0
m	-	-	-	80,0	80,0	80,0
n ø	-	-	-	10,0	10,0	10,0
o	M 20	M 20	M 20	M 25	M 25	M 25
p	für M 20	für M 20	für M 20	2 x M 25	2 x M 25	2 x M 25
Leiter mm² min	1,5	1,5	1,5	2,5	2,5	2,5
Leiter mm² max	4	4	4	10	10	10

**Bals Elektrotechnik GmbH & Co. KG**

D-57399 Kirchhundem - Albaum

phone: +49(0)2723/771-0 fax: +49(0)2723/771-177

email: [info@bals.com](mailto:info@bals.com) [www.bals.com](http://www.bals.com)

Date: 24.06.2016